

Actual Size: 32" x 40" x 40" • (815.34cm x 101.6cm x 101.6cm)

Shipping Size: 35" x 43" x 43" • (88.9cm x 109.22cm x 109.22cm)

Net Weight: 200lbs • (90.8kg)

Shipping Weight: 280lbs • (127kg)

Seat Width: 25" • (63.5cm)

Unoccupied Water Capacity: 70gal • (265L)

Occupied Water Capacity: 25-55gal • (94.6 - 208.2L)

Included Features (Soaking)

1. Acrylic shell gloss white finish fiberglass gelcoat reinforced
2. Stainless steel frame with adjustable leveling legs
3. Plastic composite and tempered glass outward swing door with 3 latch gear & shaft mechanism
4. Two (2) Access Side Panels
7. Single 2" 2-port PVC drains with 1 end caps included, 2 overflows, 2 stainless steel operated openers with extended handles in chrome finish

Jetting & Therapy Options

1. Air + Hydro (LED Chromatherapy Light Not Included)
3. Hydro Massage + Microbubble (LED Chromatherapy Light Not Included)
4. Hydro Massage (LED Chromatherapy Light Not Included)
5. Soaking



Jetting & Therapy Systems

Hydro Massage

- Hydro Massage Pump 7A
- Intensity Dial Air Control
- Ozone Sterilization 0.04A
- 13 jets (11 Seat Jets 2 Calf Jets)
- On/Off Push Control
- In-line Water Heater 6A 650W

Microbubble Therapy

- 1 HP Pump 7.3A
- Pressure Vessel
- On/Off push control
- Agitator Valve

Air Massage

- Air Massage Pump 4.5A 500W
- 3 Speed Pump
- Auto-purge (Activates 20 minutes after pump shutdown)
- 16 jets (10 Seat Jets 6 Foot Jets)
- On/Off push control

Optional Features

1. Heated Seat and Backrest
2. Digital Controller

2 Piece Faucet

- Up to 16GPM @ 60PSI (at ideal in-home plumbing conditions)
- Two 5' Water Supply Lines 3/4"
- Pull out Hand Shower in Chrome Finish with a 5' Retractable Stainless Steel Braided Hose

Electrical Requirements

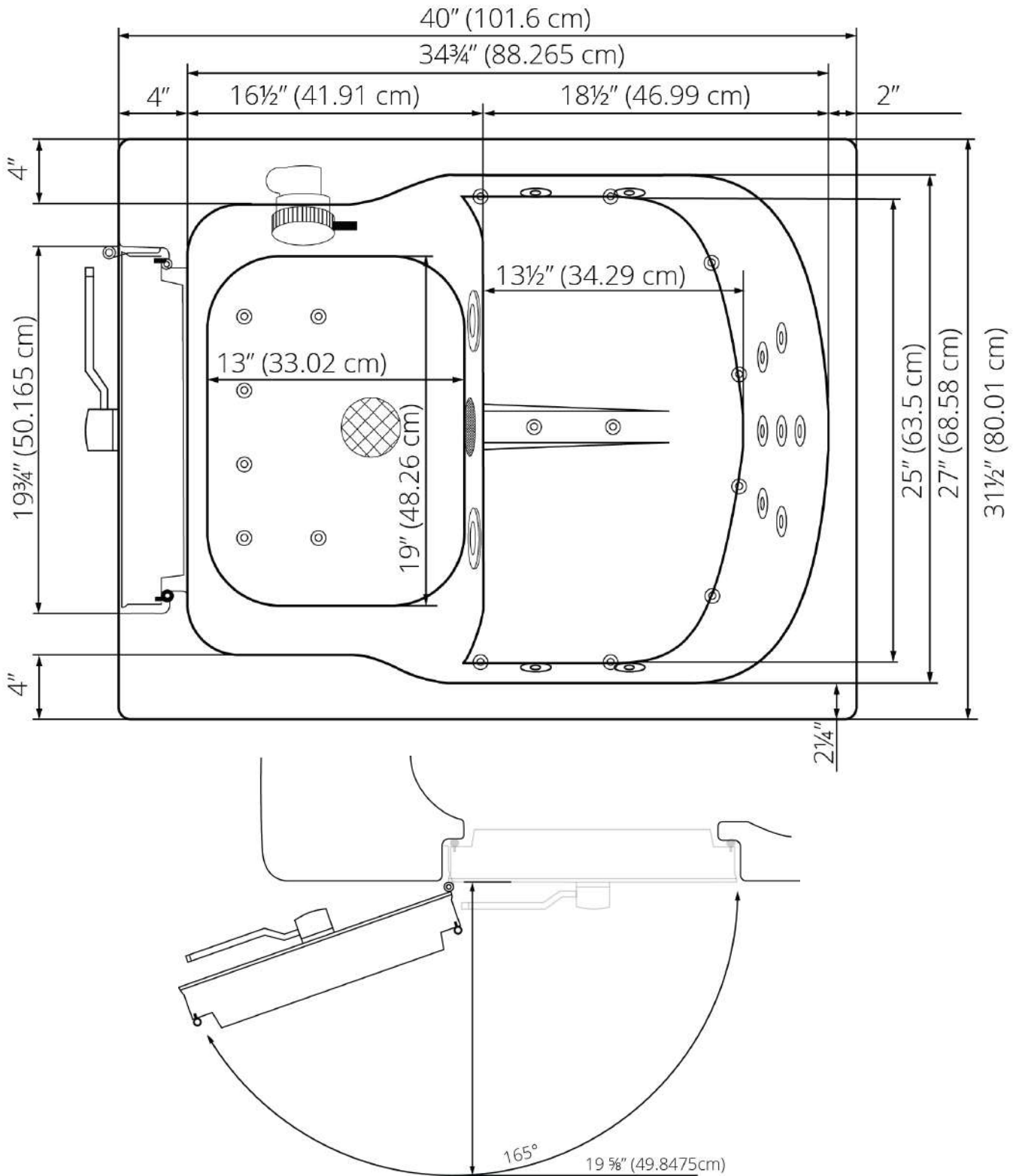
Dedicated GFCI protected electrical line(s) required 110/120V 60Hz

Disclaimer*: AMP value for each pump may change based on availability. Please verify before purchase. (800.480.6850)

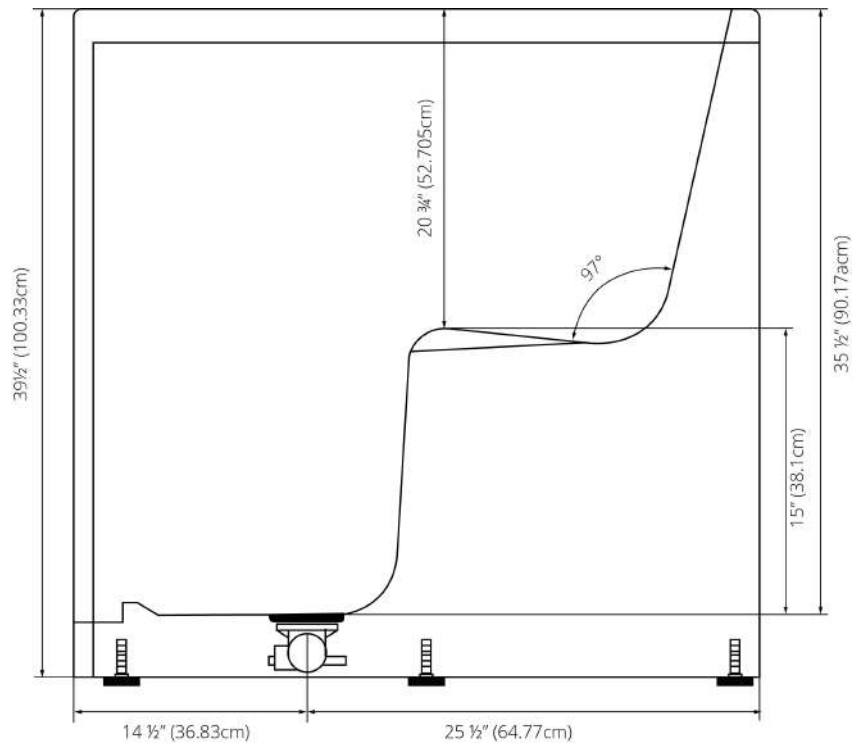
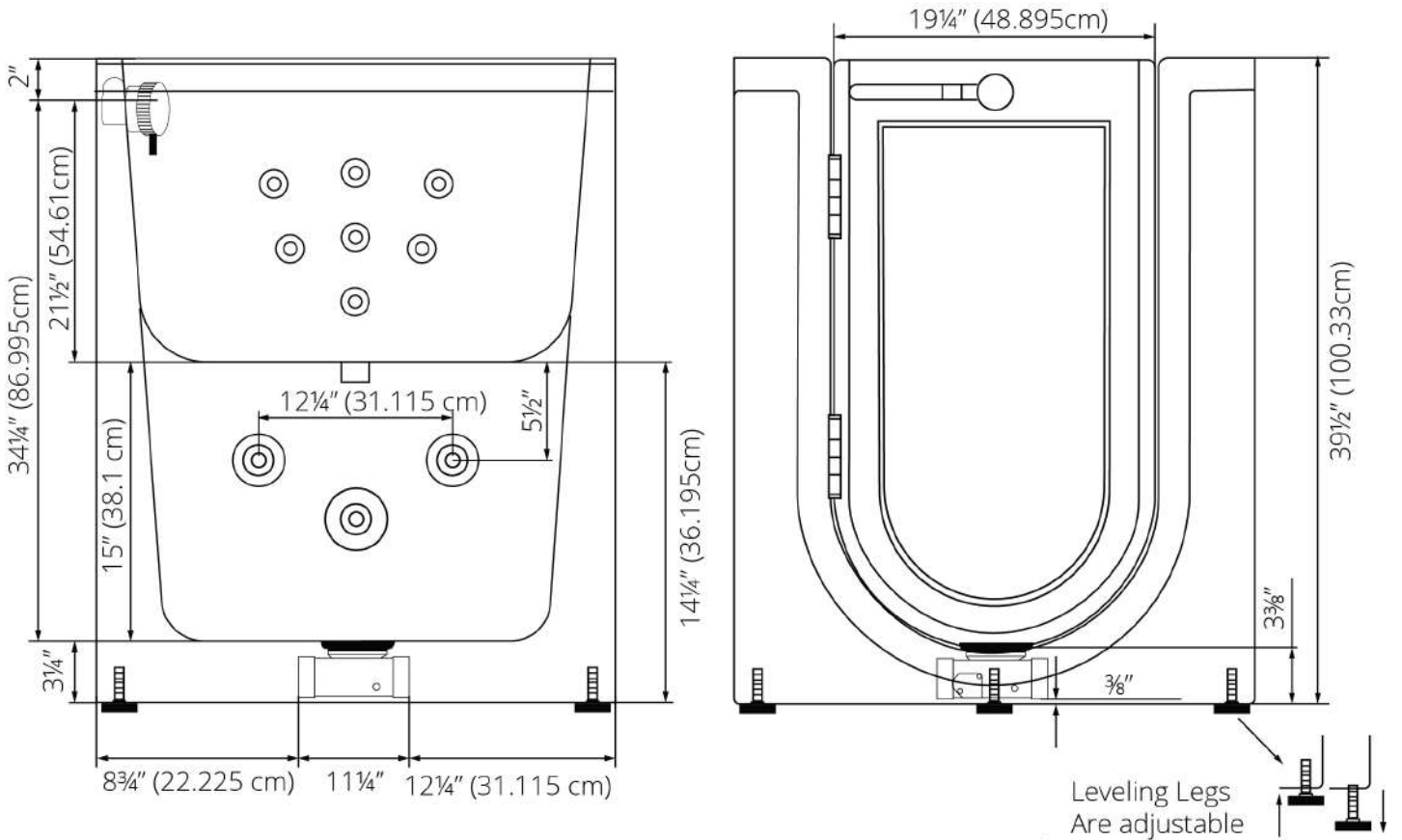
Warranty

- Lifetime limited* warranty on shell, frame, door, and parts to original purchaser/Address
- Labor or installation is not covered - please refer to the Ella warranty certificate
- Non Ella brand faucets covered under manufacturers original warranty

Front Entry Acrylic Outward Swing Door Walk-In Bathtub Specifications

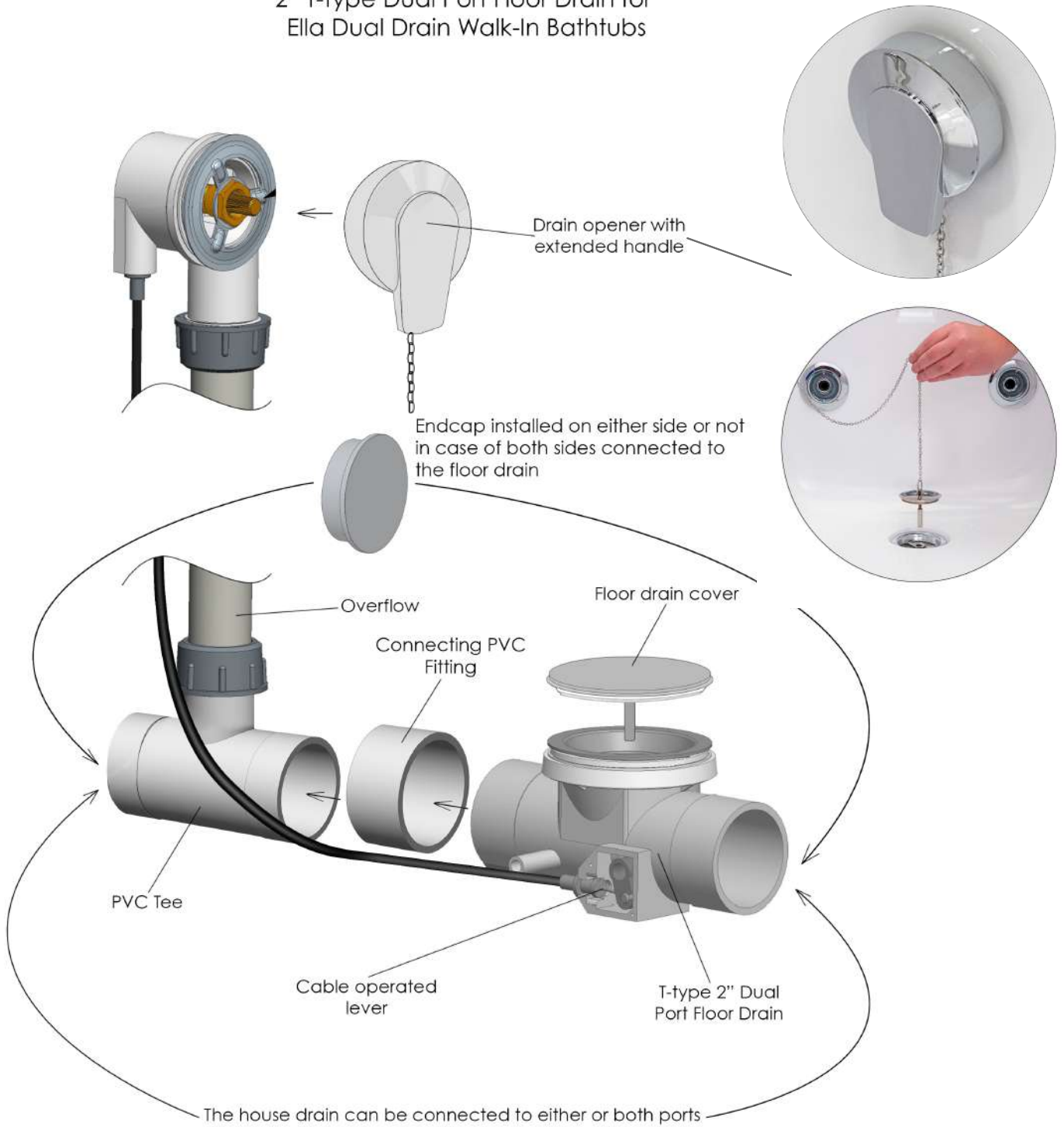


Front Entry Acrylic Outward Swing Door Walk-In Bathtub Specifications

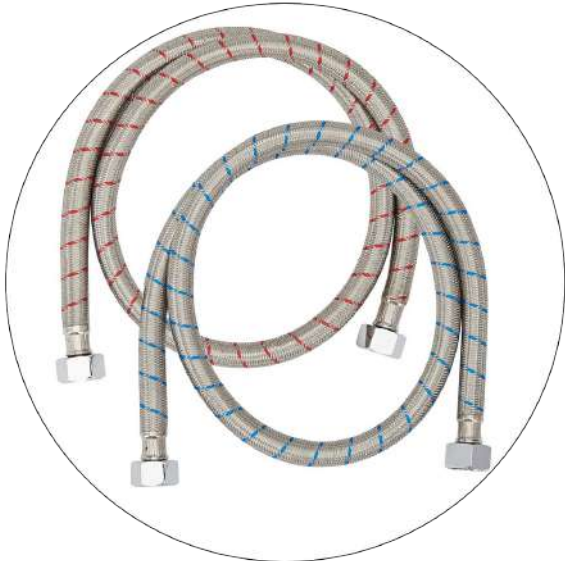


Ella 2" T-Type Single Port Floor Drain (One Drain Included)

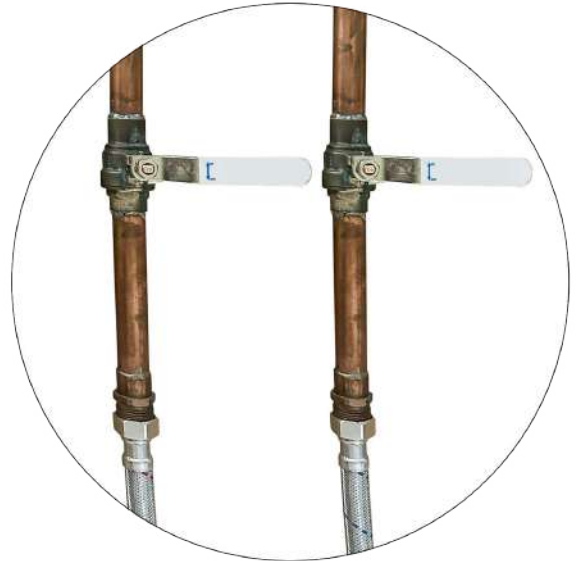
2" T-type Dual Port Floor Drain for
Ella Dual Drain Walk-In Bathtubs



Two 3/4" connector water supply lines included with Ella Fast Fill Faucets



Connect to Shut Off Valves (not included)



All electrical fixtures connect to a dedicated GFCI protected outlet.



Use a drain cap to close unused drain port on either open side.



Water direction to the back of tub



Water direction to the front of tub

Description

Solid brass spout chrome finish single lever high flow bathtub faucet with diverter button Two (2) 3/4" 5' braided stainless- steel supply lines. Pull out hand shower mixer with back-flow prevention valve 5 settings and 5' braided hose in a Chrome or Brushed Nickel finish.

Flow

- Hand shower is limited to 1.9 GPM (7.5L/min)
- Faucet fill rate designed for 16 GPM (68.1L/min)

Cartridge

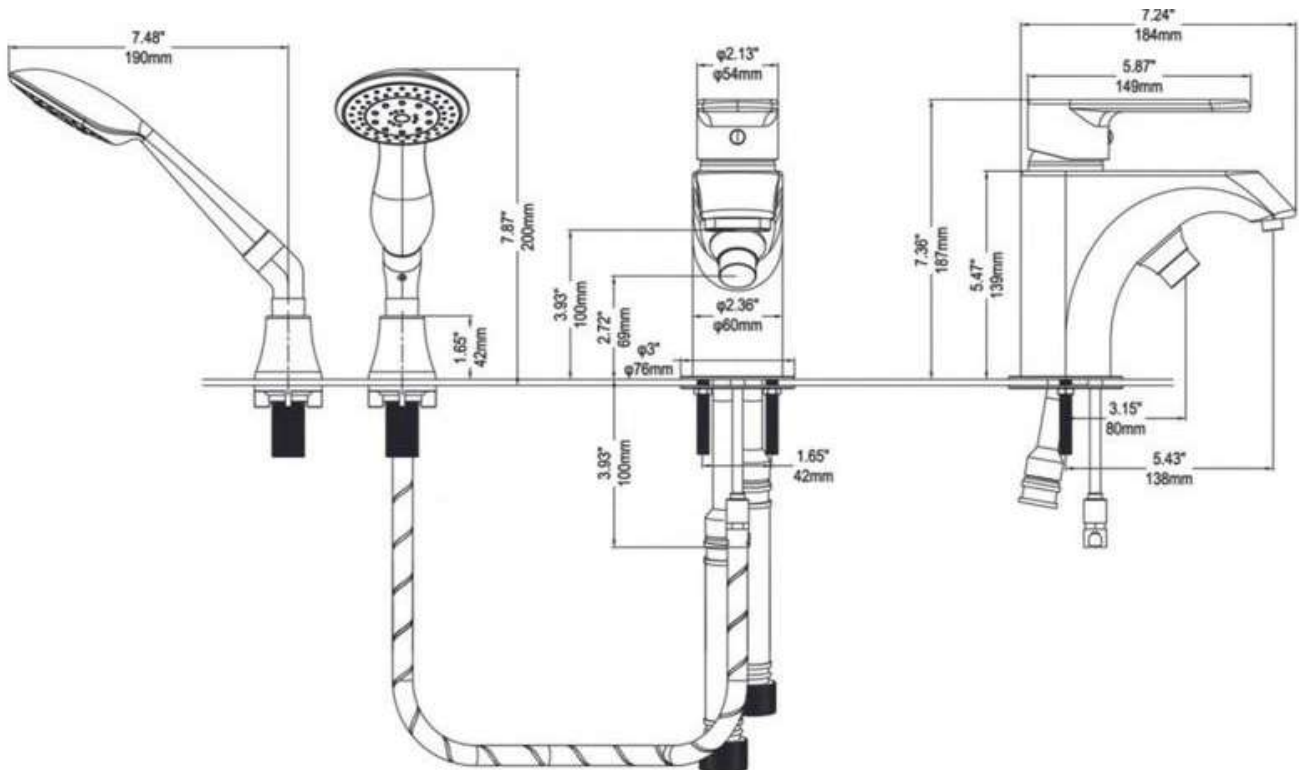
- 40mm high flow cartridge design
- Nonmetallic/nonferrous and stainless-steel material

Standards

- Third party certified to meet: CSA B125.1, ASMEA112.18.1, ICC117.1 and all applicable requirements referenced therein
- Certified to ANSI/NSF 61/9
- ADA for lever/handle
- IAPMO R&T UPC certified



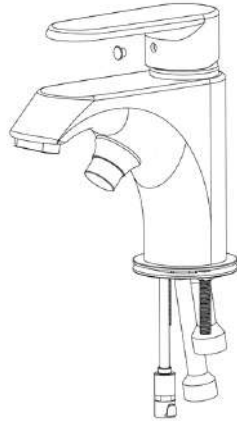
NOTE: This faucet is designed to be installed through 2-1/2" diameter hole for faucet, 1/3" diameter hole for mounting rods, and a 7/8" diagonal hole for the hand shower.



Replacing A Valve Cartridge

Step-by-step Instructions to replace a valve cartridge for Ella 2-piece faucets.

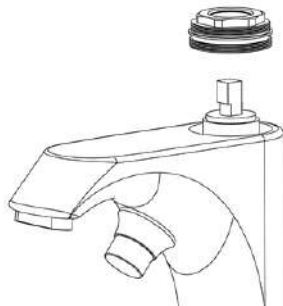
Step.1 Remove the Hot/Cold screw hole cover.



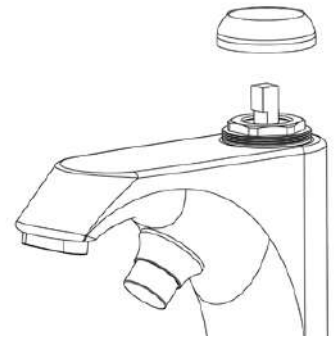
Step.2 Use an Allen wrench to remove the handle Screw.



Step.3 Take out the handle and remove the brass escutcheon



Step.4 Use a wrench to unscrew the pressure cap.



Step.5 Remove the cartridge and replace it with new piece.

